

ASSEMBLY AND INSTRUCTION MANUAL

MODEL 0920 PIROU

© 2020 KURT BEIER & KATI QUINGER



Sofa, 2 elements (M120FH + M257FH),
low armrest



Sofa 2,5-seat (240DFH),
high armrest



Sofa 2,5-seat (240FH),
low armrest



Individually designable sofa with
dual function in back and armrest
(example with high armrest)

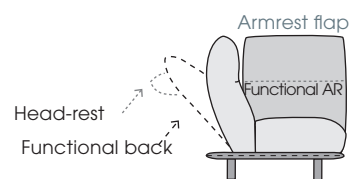


Armrests can be folded down
to form a lounge.
As a single lounge or...

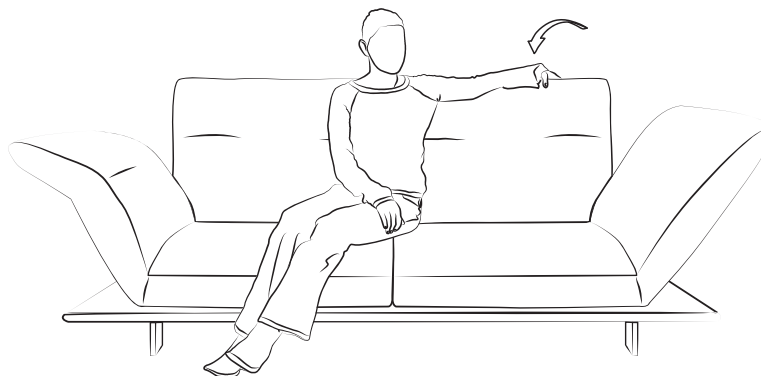


... cosy double lounge
(example with low armrest).

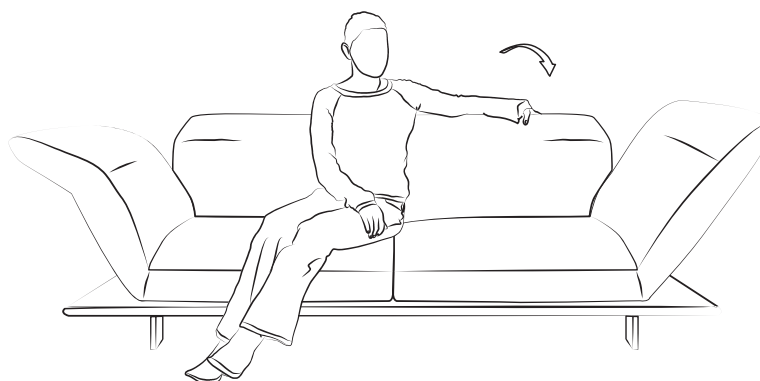
Adjustment of head-rest (or armrest flap):



1. To adjust the desired position grasp the head-rest from the outside and pull it slightly towards yourself.



2. To obtain zero position pull the head-rest slightly beyond the top position towards yourself and fold it down into zero position.

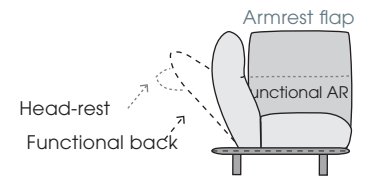


3. From zero position you can easily snap the head-rest into desired position.

Proceed in the same way to adjust the armrest flap.

ATTENTION! DON'T SIT ON BACK AND ARMREST.

Use of the manual back and armrest function:



1. To adjust the desired position grasp the armrest (or back) from the outside and pull it slightly inwards (towards yourself) to adjust the desired position.



2. To obtain zero position pull the armrest (or back) slightly beyond the top position towards yourself and fold it down into zero position.



3. From zero position you can easily snap the armrest (or back) into desired position.



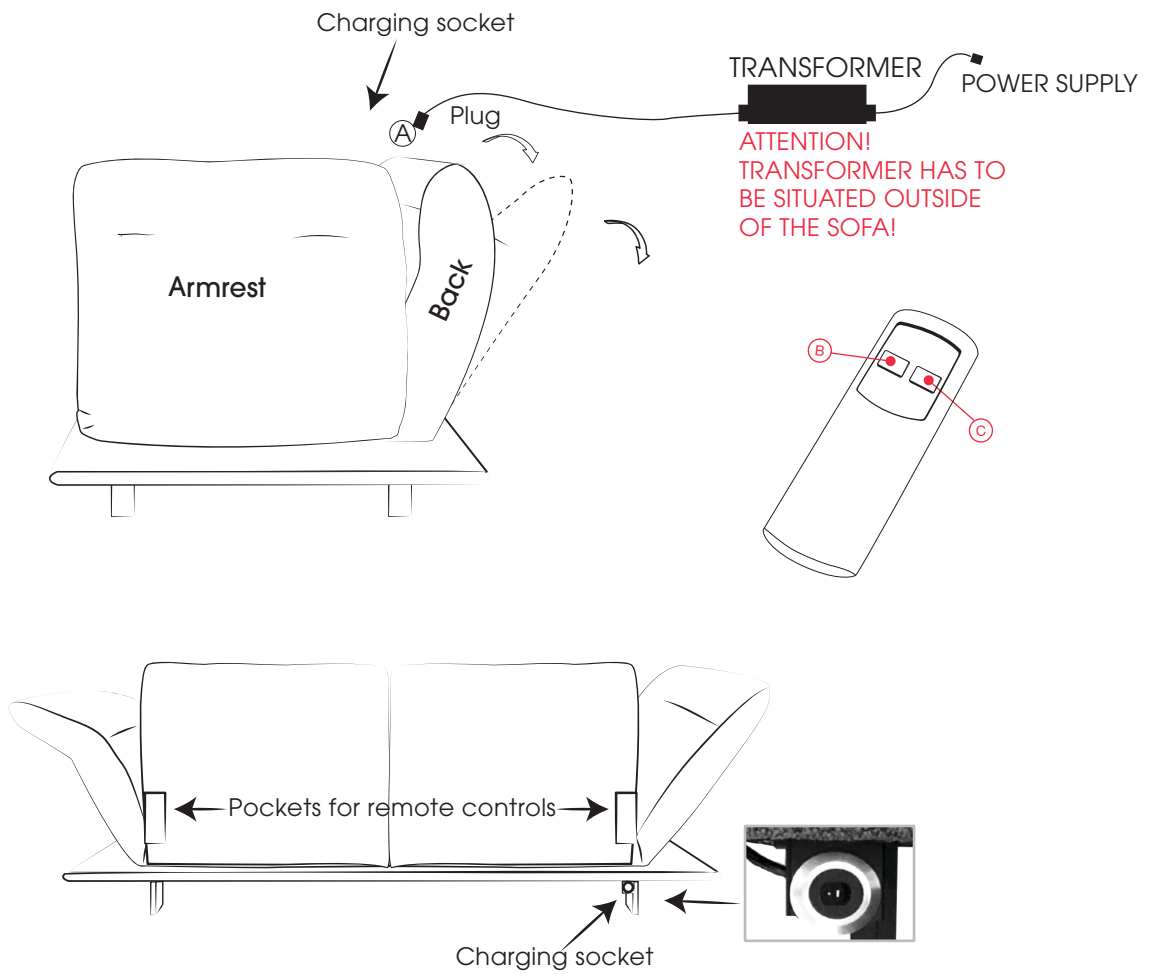
Proceed in the same way to adjust the back.

At the motorised version, the back is continuously adjustable by means of a remote control. See: Use of the motorised back function.

ATTENTION! DON'T SIT ON BACK AND ARMREST.

Use of the motorised back function:

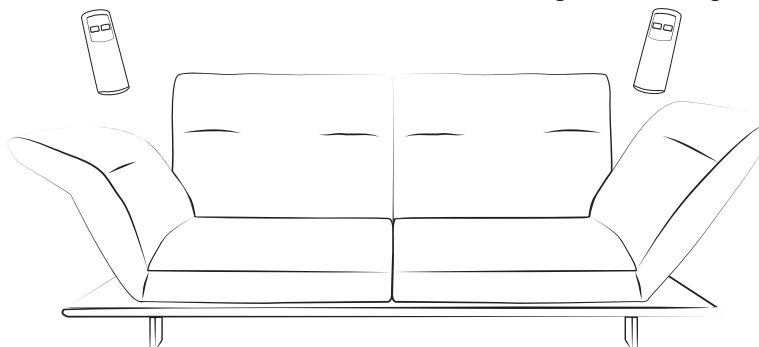
1. Insert the plug A into the charging socket at the bottom of the sofa and then the transformer into the socket.
2. By pressing the switch buttons B and C at remote control, the back can be moved continuously to the required position.



The 2 remote controls are located at the back (outside)!

Left back = left

Right back = right

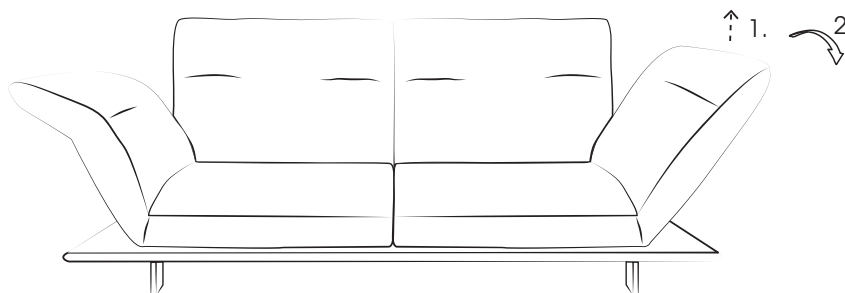


ATTENTION! DON'T SIT ON BACK AND ARMREST.

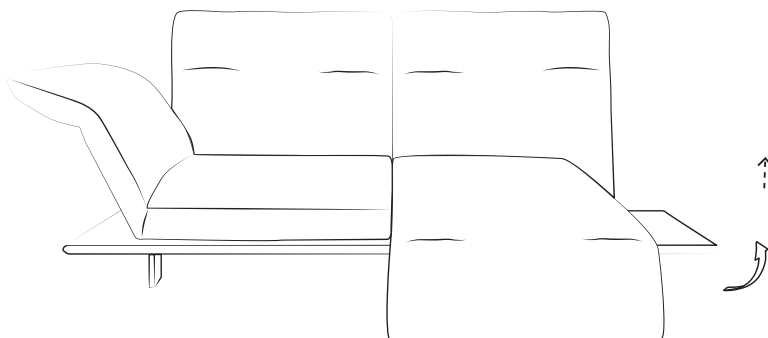
Use of rotation function:

Adjusting the seat to a lounger:

1. To obtain the lying position, grasp the armrest from the outside in the raised position and lift it slightly.
2. In the raised position, turn the seat forwards and let it snap back into place.



3. The foot flap (armrest flap) can now be folded up or down (see Adjusting the armrest flap).



4. To get back into the seat position, lift the footrest (armrest) slightly and turn the seat back to the basic position.



ATTENTION! DON'T SIT ON FOOT PART (ARMREST).

Motorised seat adjustment - Programming of transmitter and receiver

Delivery condition: already synchronised

November 2021

Brief instruction, Pairing-Method:

Should a new start-up of remote control be necessary the wireless communication with the control/motor must be established. Proceed as follows:



1. Press pairing buttons **A** at receiver 2 x until the LED indicates. The pairing process is active for about 10 seconds.

2. Press simultaneous button **B** and **C** at the transmitter until the green LED at the receiver vanishes. This confirms a successful pairing process.

Note:

For the pairing process the distance between transmitter and receiver should be less than 2 metres.

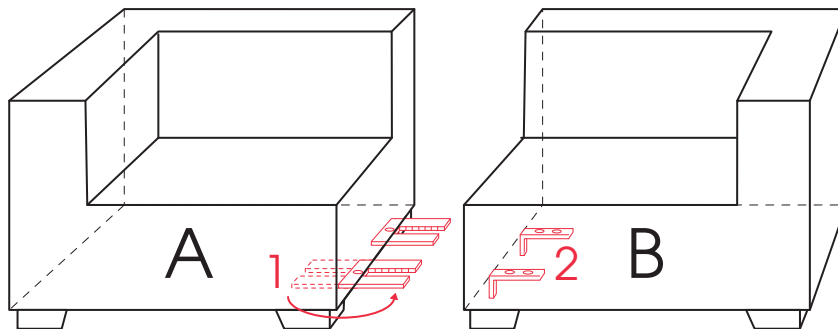
The programming is completed, the transmitter is now ready for operation. If the motor doesn't start while pressing, release the button and press again. If necessary retry the process.



Put drive systems into operation successively, **don't** operate several systems simultaneous. Otherwise the remote control cannot be assigned clearly by control/motor.

Mounting of connectors

1. Position the elements at the place supposed to stay.



2. Turn connector ratchet 1 of element A to the outside.
3. Firmly push together part A and B, until metal guides 2 catch into guides 1.
4. In case of dismantling lift part B with the metal guides 2 and pull away

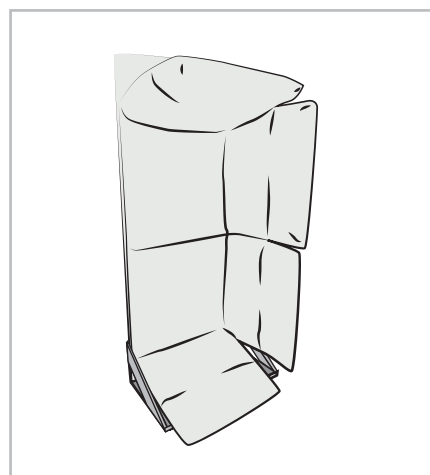
Assembly:

Info:

ATTENTION! To ensure secure assembly, please observe the individual steps of instruction!

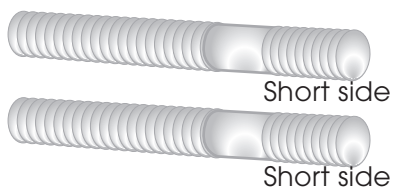
The furniture should always be mounted in pairs (2 persons)!

1. Position the elements at the place supposed to stay and remove the foil and the cardboard.

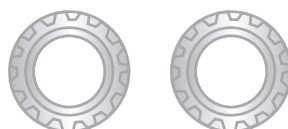


2. Unpack the small parts and put them in front of you.

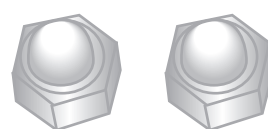
2 x Threaded pin (a)



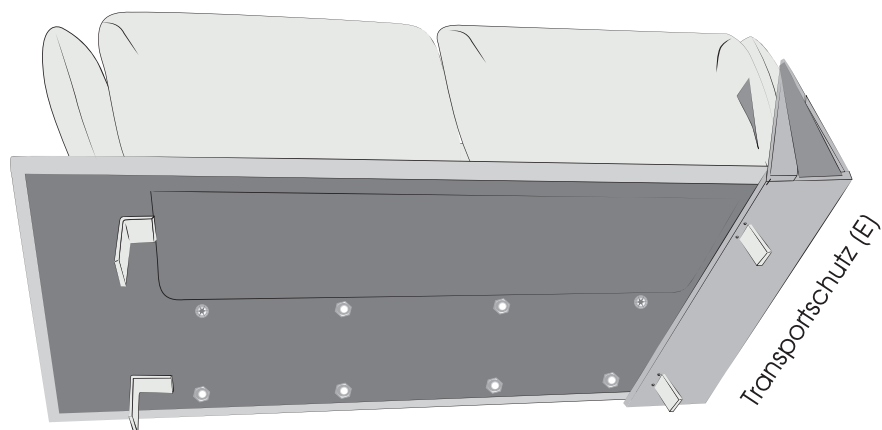
2 x Toothed lock washer (b)



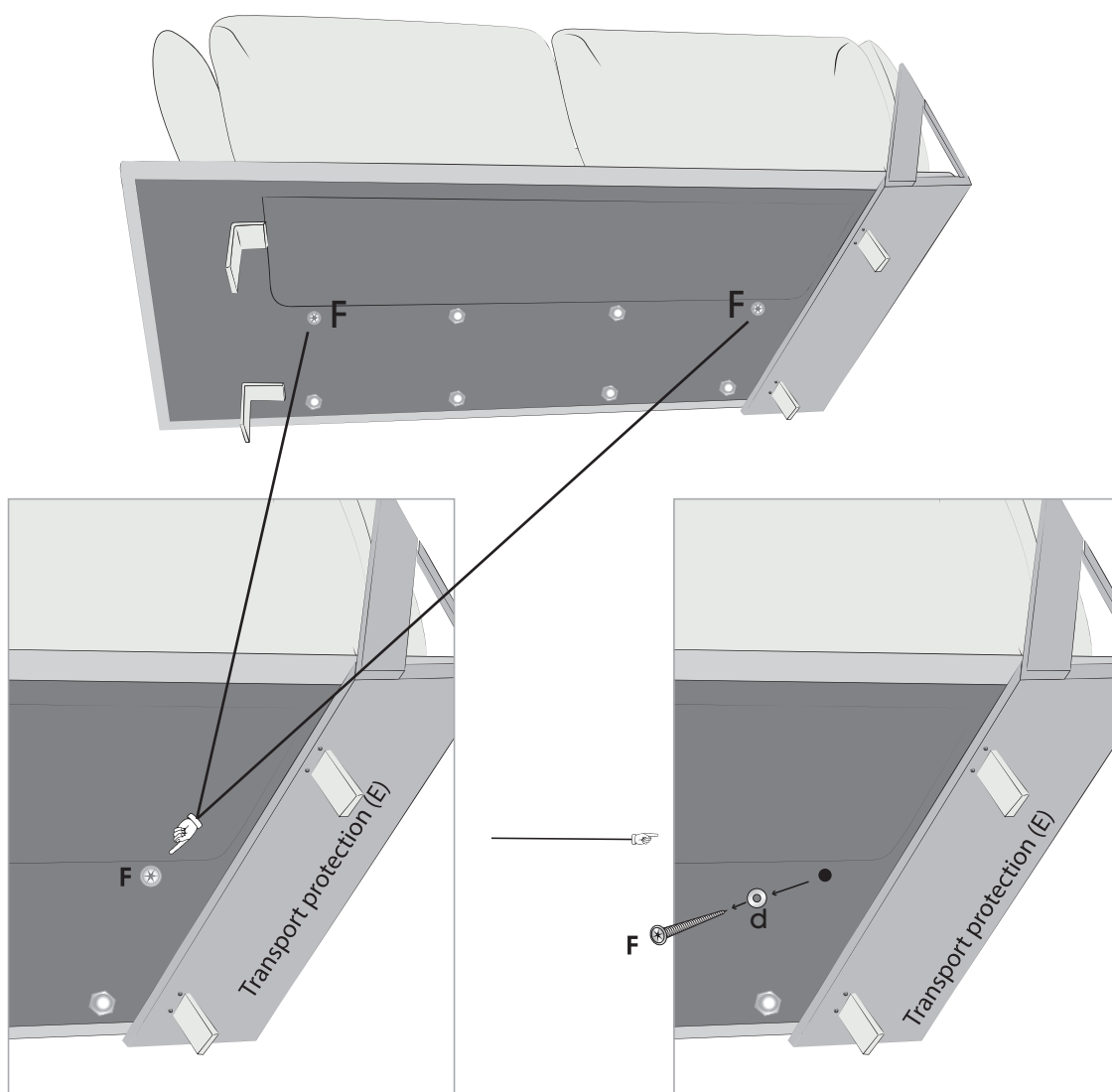
2 x Cap nut (c)



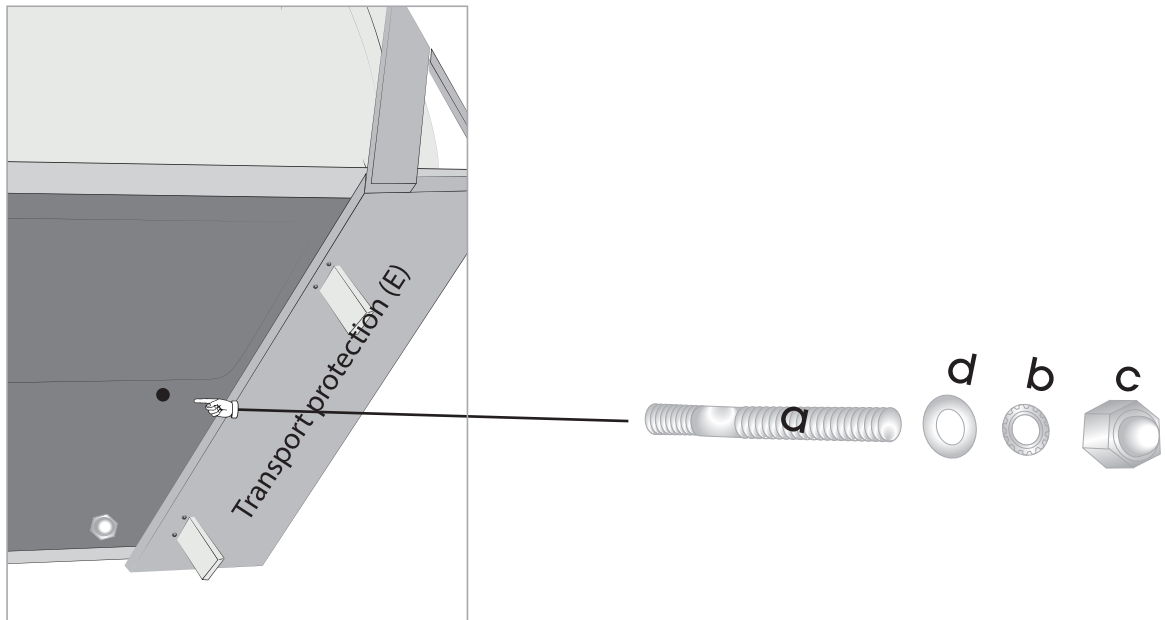
3. Tilt the element forwards. Use a suitable support to avoid damage to the cover or your floor.



4. Remove the transport lock screws (F) 1 Spax screw (F) and 1 washer (d) per side. The washer (d) will be used again in the following step.

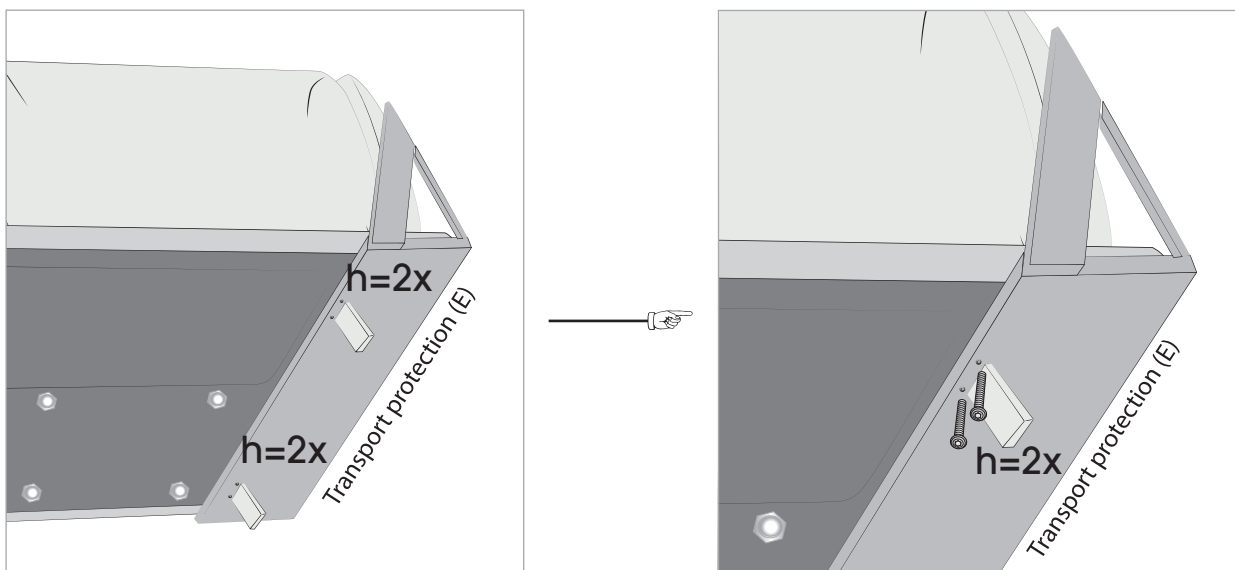


5. Now screw the threaded pin (a) with the short side instead of the Spax screws (F) into the hole. First push the washer (d) and then the toothed lock washer (b) over the threaded pin (a) and tighten everything with the cap nut (c).

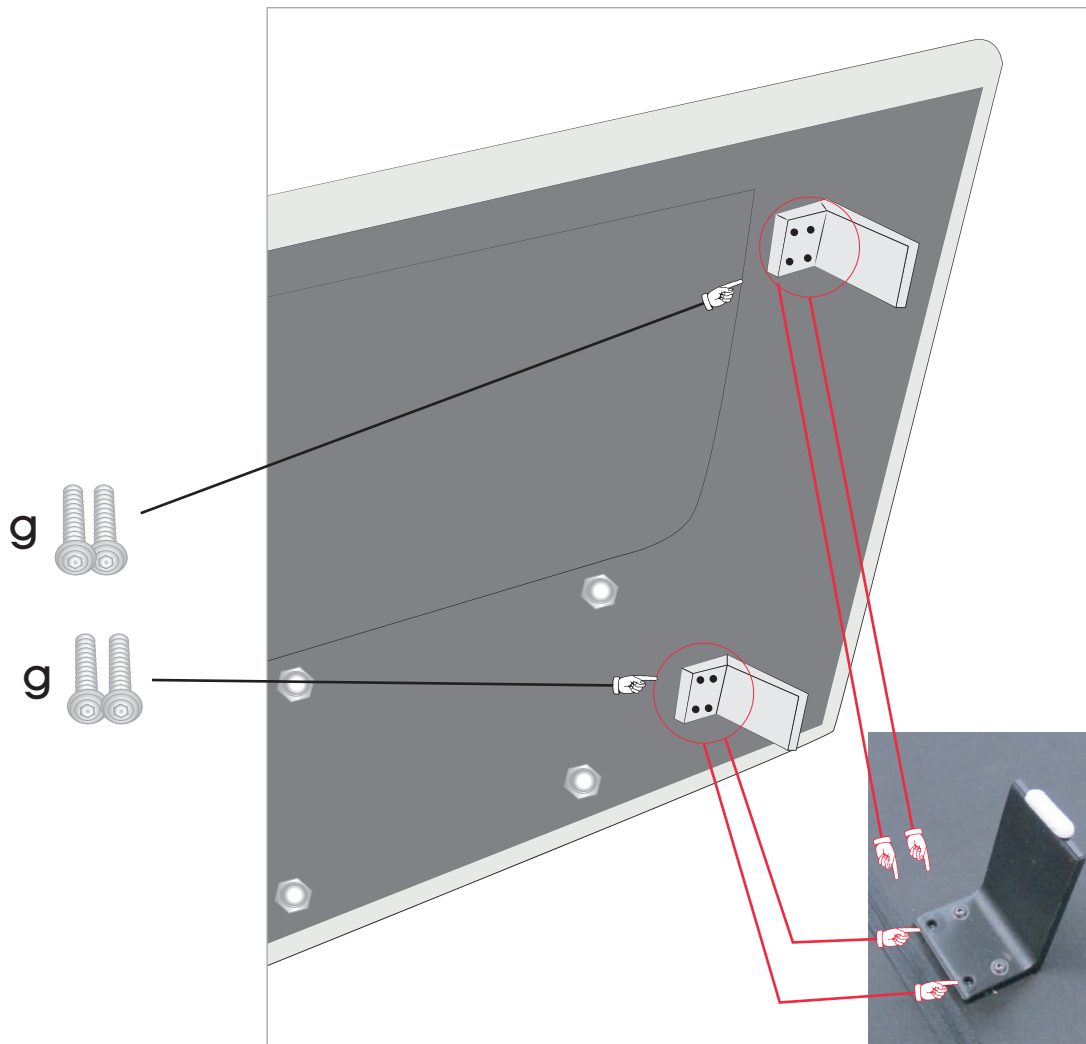


6. Proceed the same way at the other side.

7. Unscrew the 4 screws (h) from the transport protection. Now remove the transport protection by lifting the element slightly and pull the transport protection away over the feet towards the front (towards you).



8. Now screw the 4 bolts (g) (2 per foot) back into the feet.



9. Place the element back on its feet.