

PRODUCT INFORMATION MODEL 2214 AMIE

© 2022 KURT BEIER & KATI QUINGER



Comfort upholstered back



Optional solid or...



...with 360° rotation function


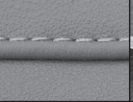
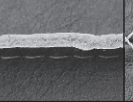

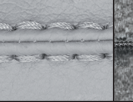

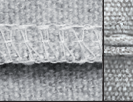
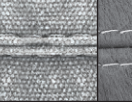
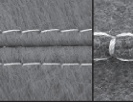

AMIE: COCOONING AT ITS BEST

ROTATING SEATING ISLAND. PEPPED UP WITH SOFT CLOUD CUSHIONS, YOUR LIVING SPACE EXPANDS TO A LANDSCAPE OF CONSPIRACY! COVERS AVAILABLE IN LEATHER AND FABRIC FROM OUR EXTENSIVE COLLECTION. UNIQUE PIECE PRODUCTION.



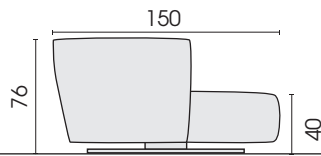
Floor distance: 7 cm

Processing options of main seam / decorative seam

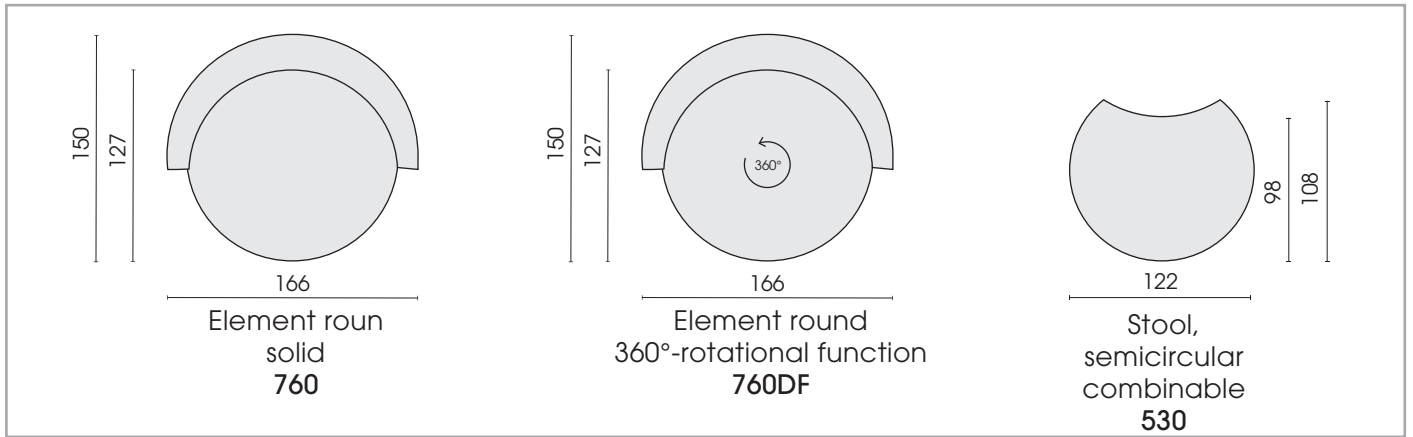
	Plain seam	Lap seam	Raw edged	Moccasin seam extra charge	Twin seam extra charge	KR* (zipper piping) extra charge	Overcast seam extra charge	Piping	Two needle seam	Square seam extra charge
										
Fabric	x									
Leather	x									
Fur										
Fake fur	x									

It is possible to order main seam or decorative seam either tone in tone like the colours of cover or in the contrasting colours white, nature, grey, rust and black. On request special colours possible.

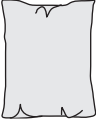

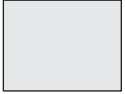


*Zipper piping: optionally in the colours black, red, nature or light grey.



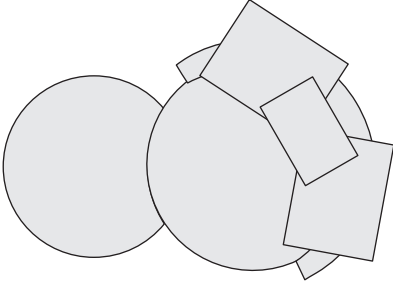
Side view



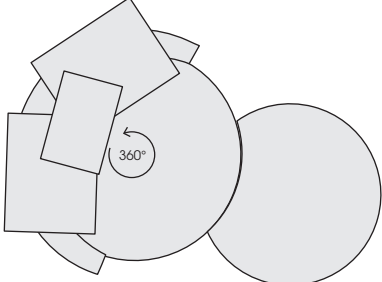
Cushions Cushions with decorative seams are either tone in tone or contrasting colour possible.

				
Funkis S Functional cushion (tapered cushion) (plain seam) (Leather: raw edged) 62 x 78 582	Cushion (tapered cushion) (decorative overcast seam) 60 x 40 925	Cushion (tapered cushion) (plain seam) 78 x 60 949	Cushion (tapered cushion) (plain seam) 60 x 40 967	Cushion (tapered cushion) (Leather: optionally piping or raw edged) (fabric: piping) 60 x 40 975

Combinations



- Type 530
- Type 760
- 2 x Cushion 949
- Cushion 967



- Type 760DF
- Type 530
- 2 x Cushion 949
- Cushion 967

Each piece of furniture is handmade and unique. Deviations to the listed measurements may be caused by:
 1. different upholstery materials (fabric, leather), 2. processing of ticking mats, 3. the pressure to combine individual parts, etc.
 The seat comfort of a sofa type with larger seat depth usually differs from one with lower depth.